



## MOUNTING NUTS

### Stud Nut

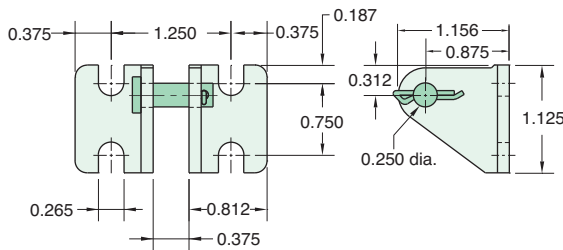
Part Number	Across Flats	Nut Thickness	Nut (Thread)
<b><u>N10-18</u></b>	15/16"	3/8"	5/8-18

### Rod Nut

Part Number	Across Flats	Nut Thickness	Nut (Thread)
<b><u>N05-24</u></b>	1/2"	3/16"	5/16-24

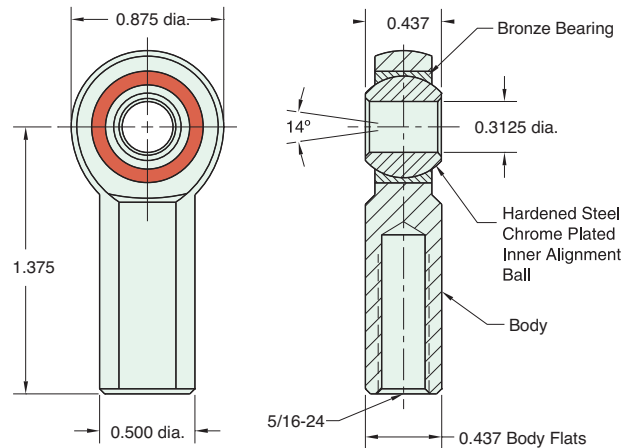
### **CB-1795**

Clevis Bracket  
Material: Steel, bright zinc plated



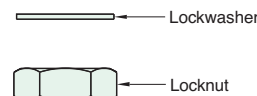
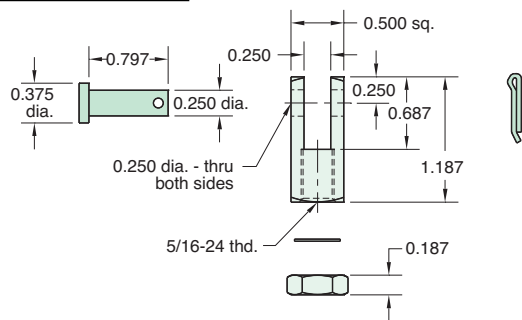
### **RE-1785**

Rod End  
Material: Steel, bright zinc plated body



### **RC-1781**

Rod Clevis  
Material: Steel, electroless nickel plate



Max. Static Radial Load (rod end only): 3,200 lbs.  
Fits Rod Thread Size: 5/16-24

### **FB-1791**

Foot Bracket  
Material: Steel, bright zinc plated

